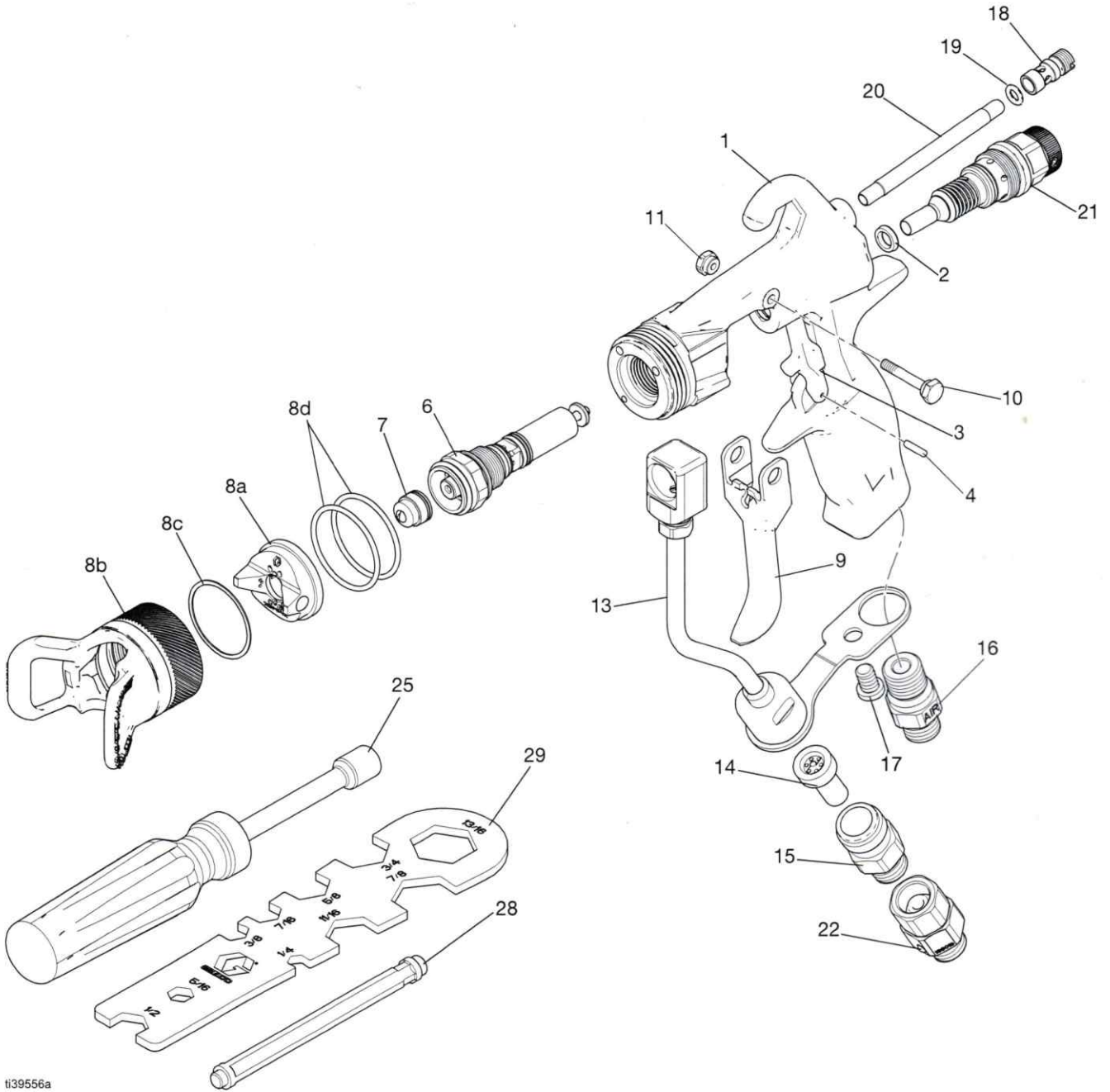


PerformAA 50 Air Assist Gun Models

Models 26B509, 26B510, 26B511, 26B512, 26B513, 26B514, 26B515, and 26B516



ti39556a

PerformAA 50 Air Assist Gun Models

Models 26B509, 26B510, 26B511, 26B512, 26B513, 26B514, 26B515, and 26B516

Ref. No.	Part No.	Description	Qty.
1	—	BODY, gun	1
2	188493	PACKING, U-CUP, GUN	1
3	249423	STOP, TRIGGER (kit includes item 4)	1
4	115132	PIN, DOWEL	1
6	26B700	CARTRIDGE, FLUID, see Fluid Cartridge Assembly , page 49	1
7	—	SPRAY TIP, Customer's Choice of AXM or AXF, see Spray Tip Charts , page 52	1
8		AIR CAP, ASSY.; includes 8a, 8b, 8c, and 8d; see Air Cap Selection Guide , page 56.	1
8a	2GF042	AIR CAP, general finishing (26B510, 26B511, 26B509)	1
	2WL042	AIR CAP, wood lacquer (26B512)	1
	2HV042	AIR CAP, high viscosity (26B513)	1
	2WB042	AIR CAP, waterborne (26B514)	1
	2QD042	AIR CAP, quick drying (26B515)	1
	2LV042	AIR CAP, low viscosity (26B516)	1
8b	26B801	RETAINING RING (kit includes 8c and 8d)	1
8c	15G320	WASHER, PTFE	1
8d	109213	PACKING, O-ring, PTFE	2
9	26B721	TRIGGER, GUN (kit includes 10 and 11)	1
10	15F739	PIN, PIVOT	1
11	15F740	PIN, PIVOT, NUT	1

13	26B711	KIT, FLUID TUBE, filter, all models except 26B509, (kit includes 14, 15, and 17) See Fluid Tube Assembly Parts , page 51.	1
13	26B712	KIT, FLUID TUBE, high flow model 26B509 (kit includes 17), see Fluid Tube Assembly Parts , page 51.	1
14	205264	FILTER, TIP (not included in 26B509), see Inline Fluid Filter Kits , page 58	1
15	24D437	FITTING, HOSE, FILTER (not included in 26B509)	1
16	26B867	FITTING, AIR	1
17	119996	SCREW, CAP, SCKT, LH, 1/4-20X3/8	1
18	—	PLUG, FAN AIR, (purchase kit 26B715: includes 18, 19, and 20)	1
19	112319	PACKING, O-RING	1
20	—	TUBE, FAN AIR (purchase kit 26B715: includes 18, 19,20)	1
21	26B713	CARTRIDGE, AIR VALVE (kit includes item 2 and 28), see Air Cartridge Assembly , page 48	1
22	189018	SWIVEL (Models 26B511, 26B512, 26B513, 26B514, 26B515, and 26B516)	1
25	117642	TOOL, NUT DRIVER, 5/16"	1
26▲	222385	LABEL, SAFETY, WARNING, MED. ALERT, not shown	1
27▲	172479	TAG, INSTRUCTION, not shown	1
28	192282	TOOL, INSTALLATION, SEAL	1
29	15F446	TOOL, GUN	1

▲Replacement safety labels, tags, and cards are available at no cost.