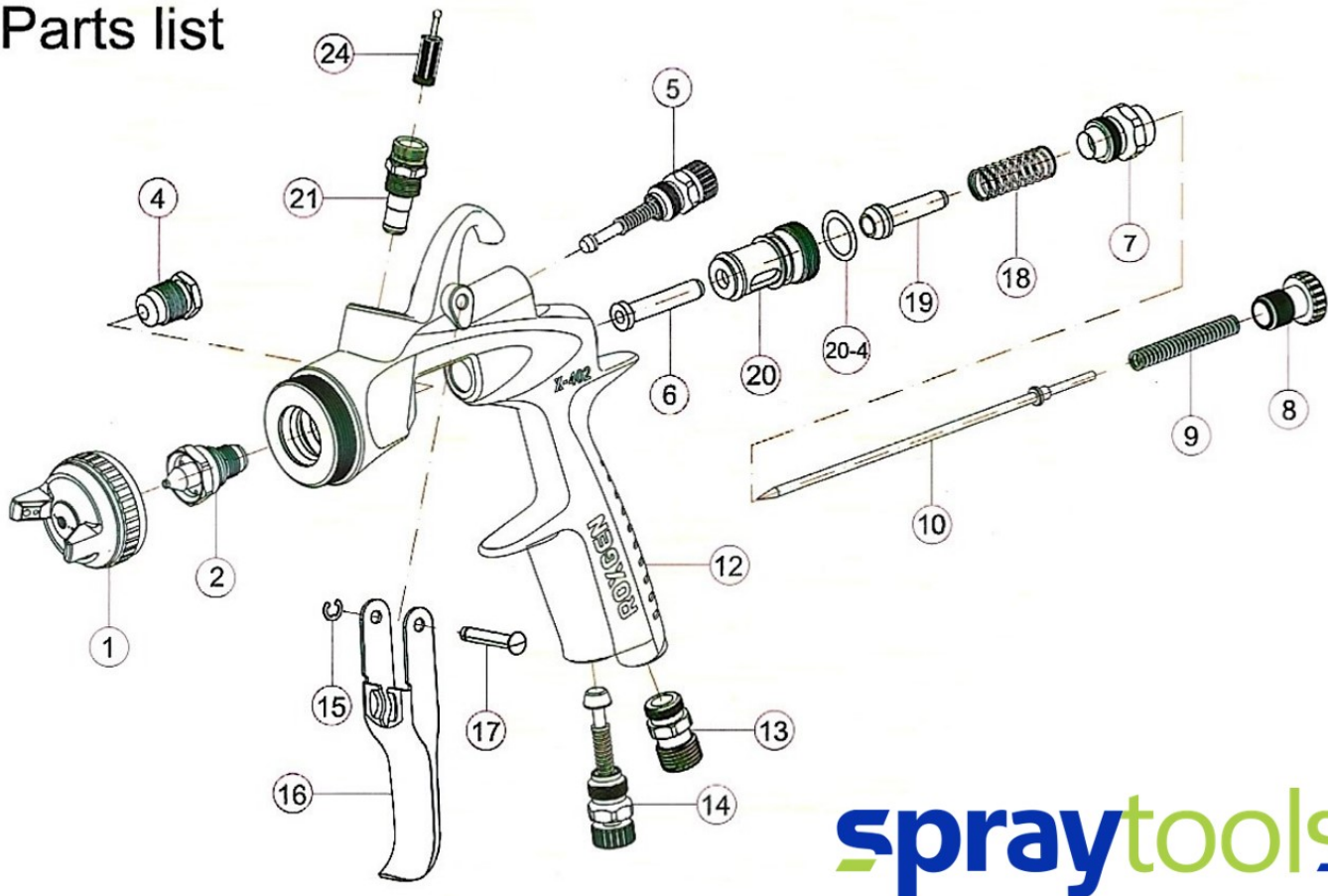


X-402 SPRAY GUN

Parts list



| NO. | Description | NO. | Description |
|------------|-----------------------------|------------|-------------------------|
| 1 | Air cap set | 14 | Air adjusting valve set |
| 2 | Fluid nozzle | 15 | E locking ring |
| 4 | Fluid needle packing set | 16 | Trigger stud |
| 5 | Pattern adjusting valve set | 17 | Trigger |
| 6 | Air valve guide | 18 | Air valve spring |
| 7 | Fluid adjusting guide | 19 | Air valve |
| 8 | Fluid adjusting knob | 20 | Air valve seat set |
| 9 | Fluid needle spring | 20-4 | O-ring |
| 10 | Fluid needle set | 21 | Fluid connector |
| 12 | Gun body | 24 | Fluid Filter |
| 13 | Air connector | | |